

Venezia



Country



COMBI-CAMP

Combi-Camp



Raised floor

40 years
experience

*Combine the charm of lying in a tent
with the comfort of a caravan*

For more than 40 years, Combi-Camp has set its mark on camping life in Europe with its well-known construction. The very modern Combi-Camp is still built on the same recognized principles, which thousands of campers have valued through many years.

All cars can pull a Combi-Camp and the low tent trailer provides minimal wind resistance, as well as ensuring optimal fuel economy.

Combi-Camp has become a household name due to the well-known fixtures and fittings where you step in on the raised floor away from damp and cold. The berth section is fitted over the wheels, likewise dry and comfortable. The practical rear kitchen is easy to use at lay-bys for brief stops or at camping sites.



10 advantages of a Combi-Camp

1. Can be put up by one person in approx. 30 seconds.
2. Sitting-room has a fixed floor and built-in sofa.
3. Quality beds with slatted bed base.
4. Good ventilation and good indoor climate.
5. Integrated pole set (prepared for awning and sun canopy).
6. Kitchen with 3 burners and running water – ideal for brief stop-overs and long stays.
7. Built-in luggage box (265 l. in size).
8. Can be pulled by all cars regardless of size and engine power.
9. Easy to drive and very stable in terms of direction.
10. Optimal fuel economy.



This is how you set up your Combi-Camp

- Unhitch the car.
- Make sure your Combi-Car is level.
- Screw the 2 support legs down.
- Then open the Combi-Camp so the tent opens out.
- Tighten the tent up with the internal poles.
- Adjust the grass edge all the way around and perhaps hammer in a couple of pegs.
- Put a chair in the sun - and relax.



Combi-Camp Venezia

Combi-Camp Venezia is the perfect frame for a family holiday.

The whole family is close to the outdoors, but has loads of comfort in the form of a complete kitchen, sitting-room and berths for Mum and Dad. And of course, the children have their own berths.

A holiday in a Combi-Camp is a holiday everyone in the family will remember, because everyone can relax.

It is easy to drive with, quick to set up and pack together. And the pleasant hours in the sun and later under the awning where the family enjoys dinner, is remembered by all.

The next morning you are woken by birdsong whilst the wind softly rustles the tent – this is a holiday.



Venezia

Complete
kitchen



The complete kitchen comprises:

- Steel hob with 3 burners
- Sink with running water
- Water bottle (12 litres)
- 35 litre refrigerated box (12 volt/230 volt/gas)
- Practical plastic drawers for cutlery
- Space for gas bottle in the kitchen
- Safety strap for gas bottle
- Good storage space on shelves
- Loads of stowage space for kitchen equipment and provisions.

The kitchen is always accessible, even when the trailer is not opened out, so it is ideal for a quick lunch on the side of the road.



For the whole family



Choose between 3 interiors

Both standard and special berths can be easily converted to a sofa arrangement during the day. Underneath all 3 interiors is a 265 litre luggage box.



The well-known Combi-Camp has 2 berths with space for 2 people in each. A section for the adults and one for the children.



Standard interior

If you are only two people, you can choose this luxury King size bed with slatted base. There is easy access to the luggage box, as the bed is held up by shock absorbers.



Interior with King size slatted bed

You can also choose a special interior which besides a large slatted bed, has a compartment that can store items, e.g. luggage



Interior with special slatted bed

You can choose to partially close off the kitchen with the kitchen awning. You just have to pull the 3 integrated poles out. Or you can roll the kitchen awning completely out so it becomes an awning.



Combi-Camp Country

If you like trendy camping and a smart lifestyle, then the new Combi-Camp Country is just the thing for you.

Large 14" tyres on smart alloy rims and natural coloured tent canvas says that here is an adventurous camper who appreciates freedom, comfort, the outdoors and luxury.

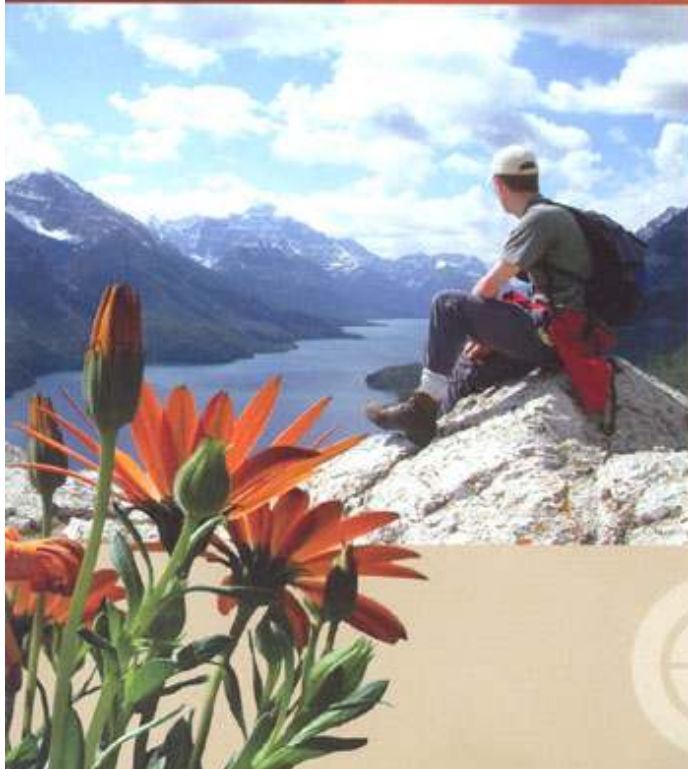
Why lie and crawl around on the ground when you can step into your Combi-Camp, prepare a lovely meal in the kitchen and sleep in a comfortable bed?

Combi-Camp Country is the luxury tent trailer for the adventurous.



Country

Camp
whenever you
want



If you are on an adventure in the Alps or Nordic mountains the surface in the outdoors or at the camping site can often be rocky. With a Combi-Camp this has no importance as it can be set up without the use of pegs.



Experience nature up front



In the smart front box you have extra good space for your equipment. You can pack bicycles or a canoe/kayak on the lid.



265 litres
for luggage

A practical luggage box of 265 litres is fitted under the king-size bed and is placed just over the axle. Under the raised King size bed there is again extra space for luggage.

Combi-Camp Country with awning and annex provides a lovely holiday home manufactured in wonderful colours that match the outdoors.



Interior with
King size
slatted bed



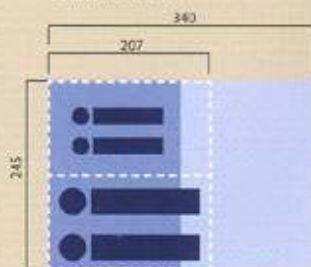
The tent trailer for the discerning camper!

Combi-Camp Country is fitted with a lovely sleeping area with really great bed space.



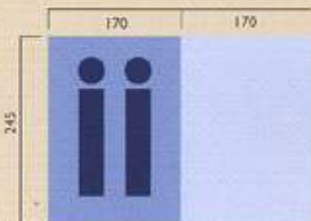
Venezia - Specifications

Standard interior



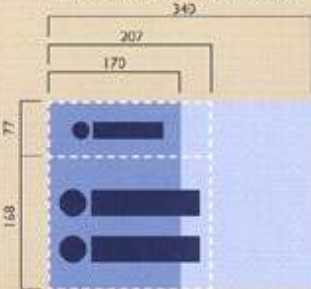
kitchen

Interior with King size slatted bed



kitchen

Interior with special slatted bed



kitchen

Standard equipment

Undercarriage

ALKO axle, 10" wheels, over-running brakes, tension rod, nose wheel, ball hitch, spare wheel and crank handle for the 2 support legs with spindle. Can also be supplied with shock absorbers.

Lighting

E-marked lights and 13-pole mains outlet for connection to the car.

Trailer

8.3 sq. m. tent trailer manufactured in 290 gram waterproof cotton canvas, complete with 2 sleeping compartments with mattresses and built-in sofa (standard interior), built-in 265 litre luggage box, hanging pockets and carpet.

Kitchen

Complete deluxe kitchen with stainless steel kitchen hob with 3 burners, built-in sink with 12 volt battery operated water pump/tap, 35 litre refrigerated box for 12V, 230V or gas, practical kitchen shelves, 4 large plastic drawers and stowage

room for various kitchen equipment.

Awning

3.5 sq.m. kitchen awning, 7.5 sq.m. sun canopy and 13.5 sq.m. awning manufactured in 290 gram cotton canvas, galvanised pole set with integrated telescope poles, wind shelter piece for the kitchen and pegs etc.

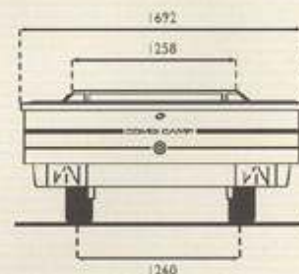
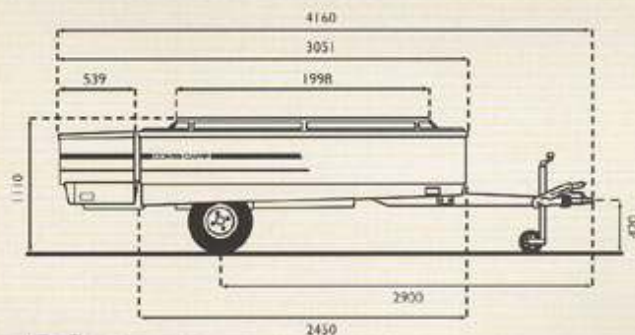
Venezia Colour combinations



Blue



Grey



Weight:

Net weight: 350 kg

- with overrunning brakes, 375 kg

Gross weight: 750 kg

Country - Specifications

Standard equipment

Undercarriage

ALKO axel, 14" alloy wheels, overrunning brakes, tension rod, nose wheel, ball hitch, shock absorbers, spare wheel and crank handle for the 2 support legs.

Trailer

8.3 sq. m. tent trailer manufactured in 290 gram waterproofed cotton canvas, complete with king-size slatted bed, built-in 265 litre

luggage box, hanging pockets and carpet.

Lighting

E-marked lights and 13-pole mains outlet for connection to the car.

Kitchen

Complete deluxe kitchen with stainless steel hob with 3 burners, built-in sink with 12 volt battery operated water pump/tap, 35 litre refrigerated box for 12V, 230V or gas, practical kitchen shelves, 4 large plastic drawers and stowage space.

Front box

Lockable box with space for a 5kg lightweight gas bottle

and the accompanying 12 litre water bottle. In addition, space for lighter luggage, extension cable etc.

Awning.

3.5 sq.m. kitchen awning, 7.5 sq.m. sun canopy and 13.5 sq.m. awning manufactured in 290 gram cotton canvas, galvanised pole set with integrated telescopic poles, wind shelter piece for the kitchen and pegs etc.

Country Colour combinations



Green

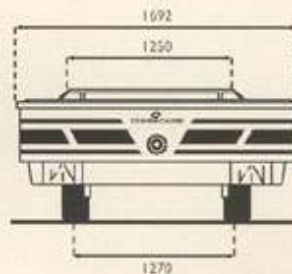
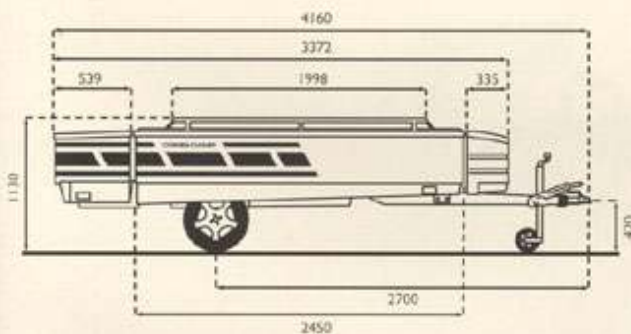


Cognac

Interior with King size slatted bed



Country with awning (standard for both trailers)



Weight:
Net weight: 450 kg
Gross weight: 750 kg



Extra accessories



Back awning

The very roomy back awning contains two extra berths, as well as extra storage space – in total 5.7 sq.m. Furthermore, there is separate entrance.



Door canopy

The door canopy protects the entrance against the outdoor elements. Additionally, the design is such that water cannot be collected on the roof of the door awning.



Integrated drive tarpulin when driving protects the trailer or if the trailer is stored outdoors for a period.



Combi-Camp chair manufactured in aluminium and hard-wearing nylon.



Drive tarpulin for the kitchen.

The drive tarpulin is also available separately for the trailer.



Practical bicycle holder, which makes it safe and easy to transport bicycles on your holiday.



The front box provides the possibility of taking along extra luggage, which is well protected during the trip. The box can be locked.



Wind shelter for the gas burner.





Annex

The 2.76 sq.m. annex contains 2 extra berths as well as a window which ensures good ventilation and a good indoor climate.



Support rod



Wind shelter piece for the trailer



Valance



Slatted base and luggage box



Extra sun canopy

The extra sun canopy can be fitted on the awning and provides 7.5 sq.m. extra shade on hot summer days



Storage frame with wheels



Lock for ball hitch



ALKO lock



Electric module for the kitchen



Insulation kit for the sides (also available for the base)



Shock absorbers





Find your nearest dealer on our website, or contact us by telephone.

www.combicamp.com

info@combicamp.com



COMBICAMP

produceres af ScanCamp A/S

ScanCamp A/S
Egebjerg Hovedgade 27
DK-4500 Nykøbing Sj.

Tlf. +45 59 36 05 06
Fax +45 59 36 05 66

Dealer: